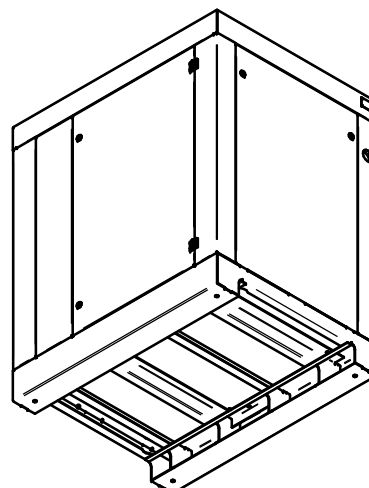
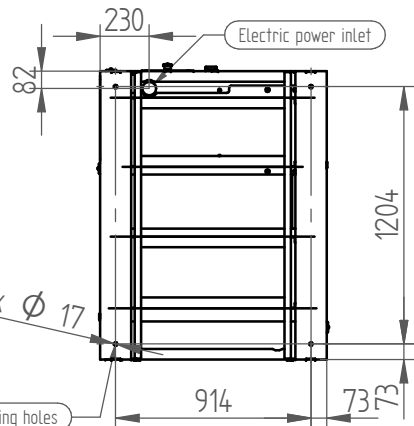
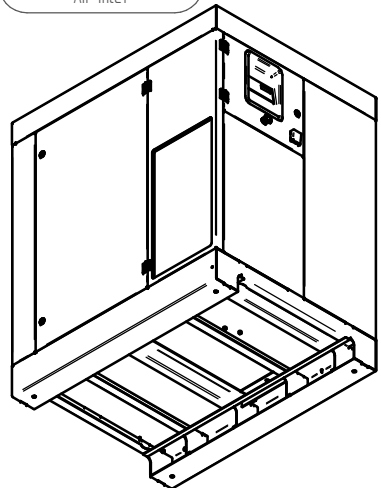


Compression + Cooling
Air inlet


Earthing bolt



The compressor can be installed on any level floor capable of supporting it. A dry, well ventilated area where the atmosphere is clean is recommended. A minimum of 900mm at the rear, the top and all sides of the machine is recommended for adequate service access and ventilation.

Adequate clearance needs to be allowed around and above the machine to permit safe access for specified maintenance tasks.

External piping shall not exert any unresolved moments or forces on the unit. Use pipe size as large or larger at discharge connection.

	NAME	DATE		
DRAWN	CK	14/10/15		
CHECKED				
ENG APPR				
MGR APPR				
DENO Compressors B.V. Van der Giessenweg 49 2921 LP Krimpen aan den IJssel The Netherlands info@denocomp.nl			SIZE A3	REV