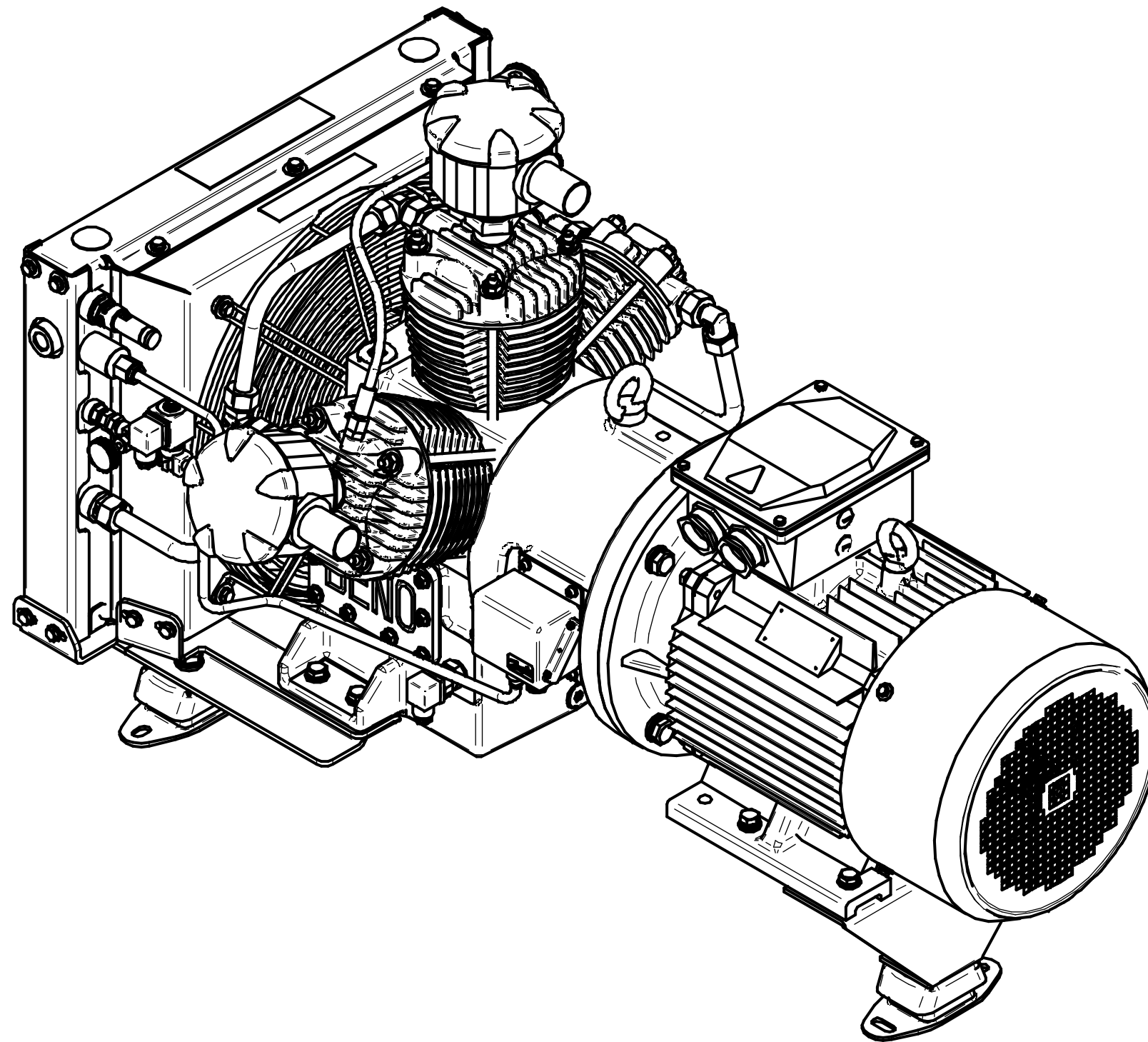


# General Arrangement 3LS Series



3L-60 160M

	NAME:	DATE:
DRAWN:	EL	15/11/21
DRAWING TYPE:	General Arrangement	
DOCUMENT:	GA-3L-60-160M-Full Option.dft	

DENO compressors B.V.  
www.denocomp.nl  
info@denocomp.nl

SCALE: 1:10  
SIZE: A3

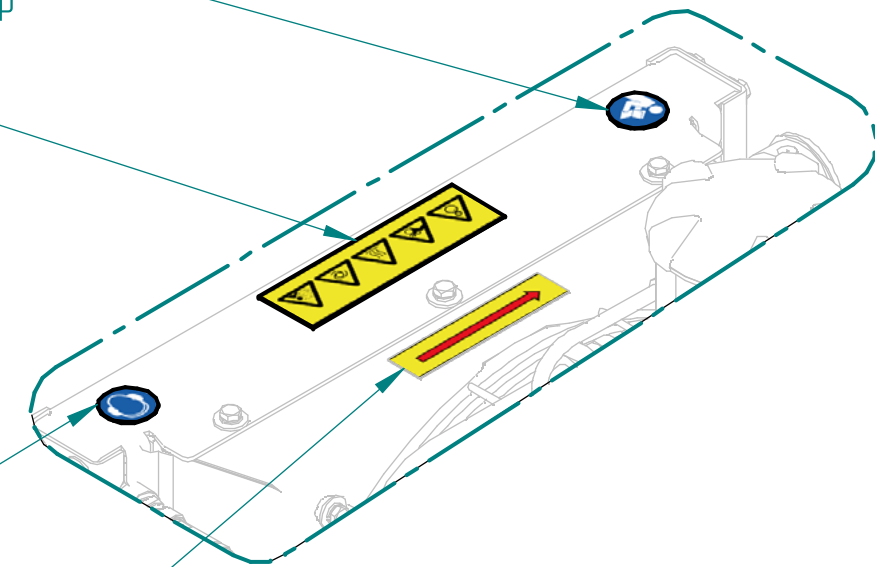
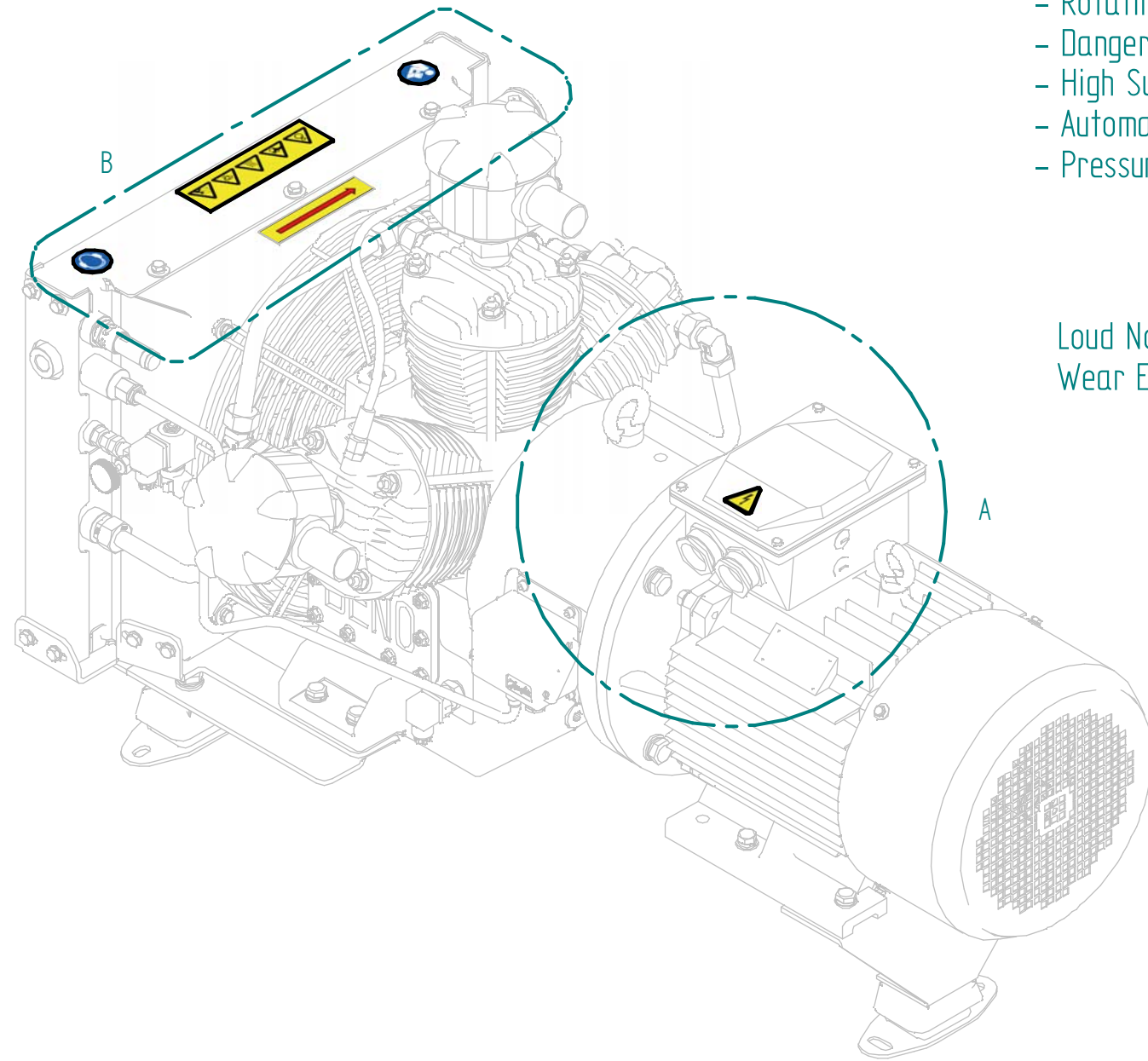
Read the manual  
Before first Start-Up

- Warning signs;
- Rotating Parts
  - Danger of crushing
  - High Surface temperature
  - Automatic Start/Stop
  - Pressurized Air

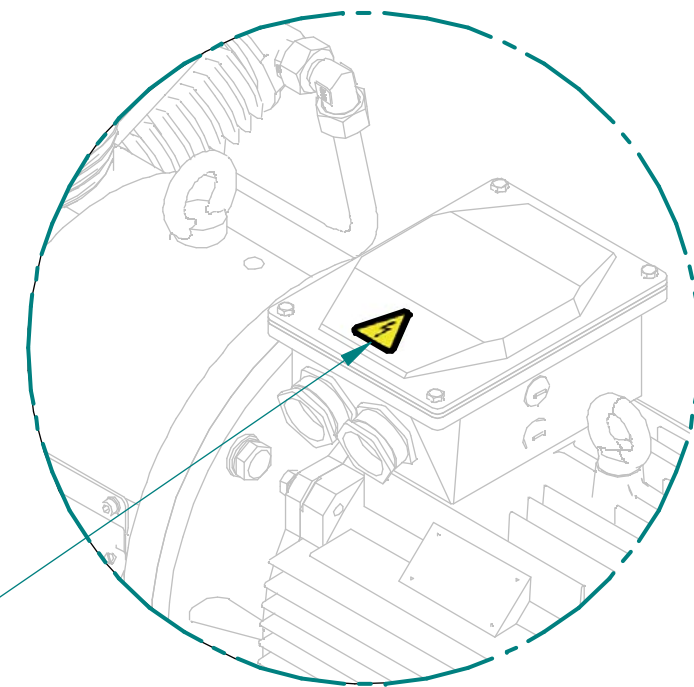
Loud Noises  
Wear Ear protection

Direction of Rotation

Caution of High voltage



DETAIL B



DETAIL A



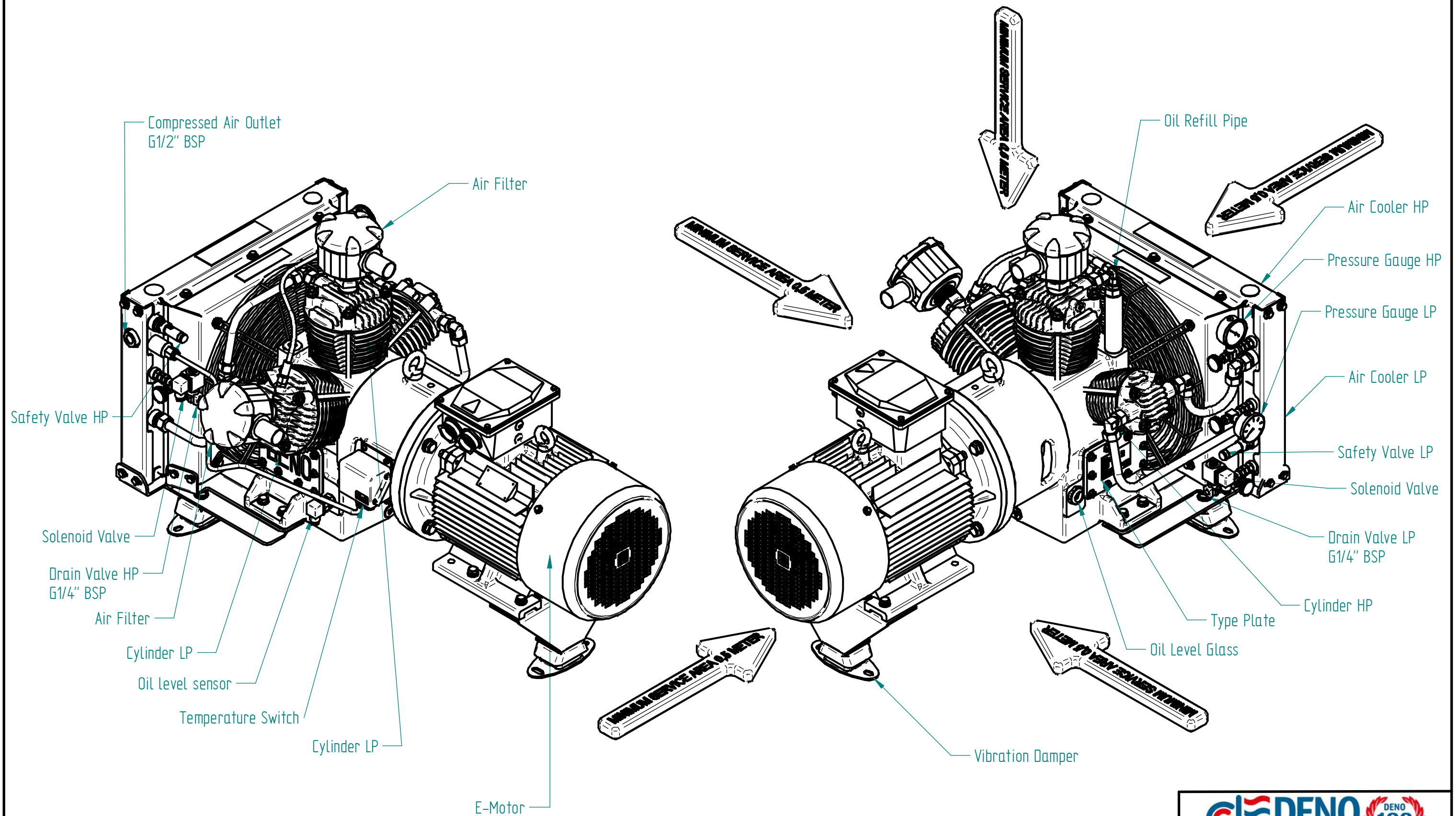
## Safety Warnings

	NAME:	DATE:
DRAWN:	EL	15/11/21
DRAWING TYPE:	General Arrangement	
DOCUMENT:	GA-3L-60-160M-Full Option.dft	

DENO compressors B.V.  
www.denocomp.nl  
info@denocomp.nl

SCALE: 1:10

SIZE: A3

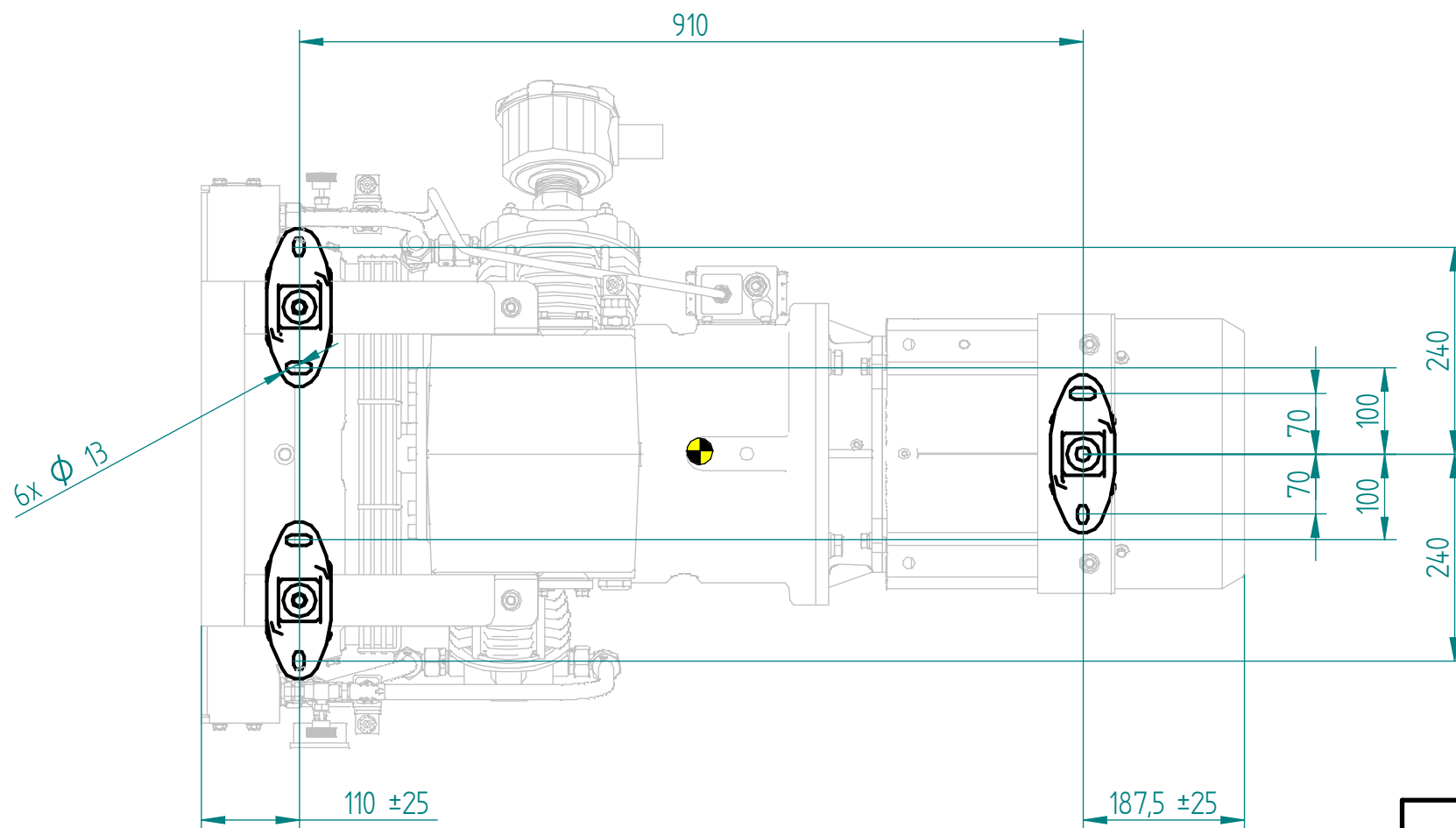
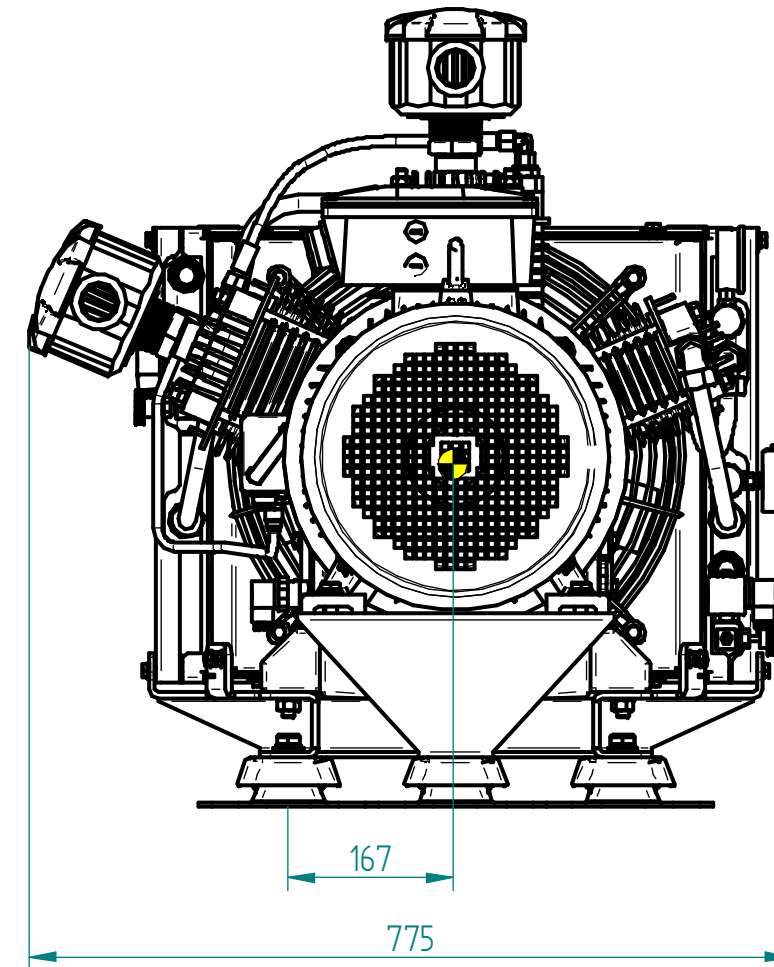
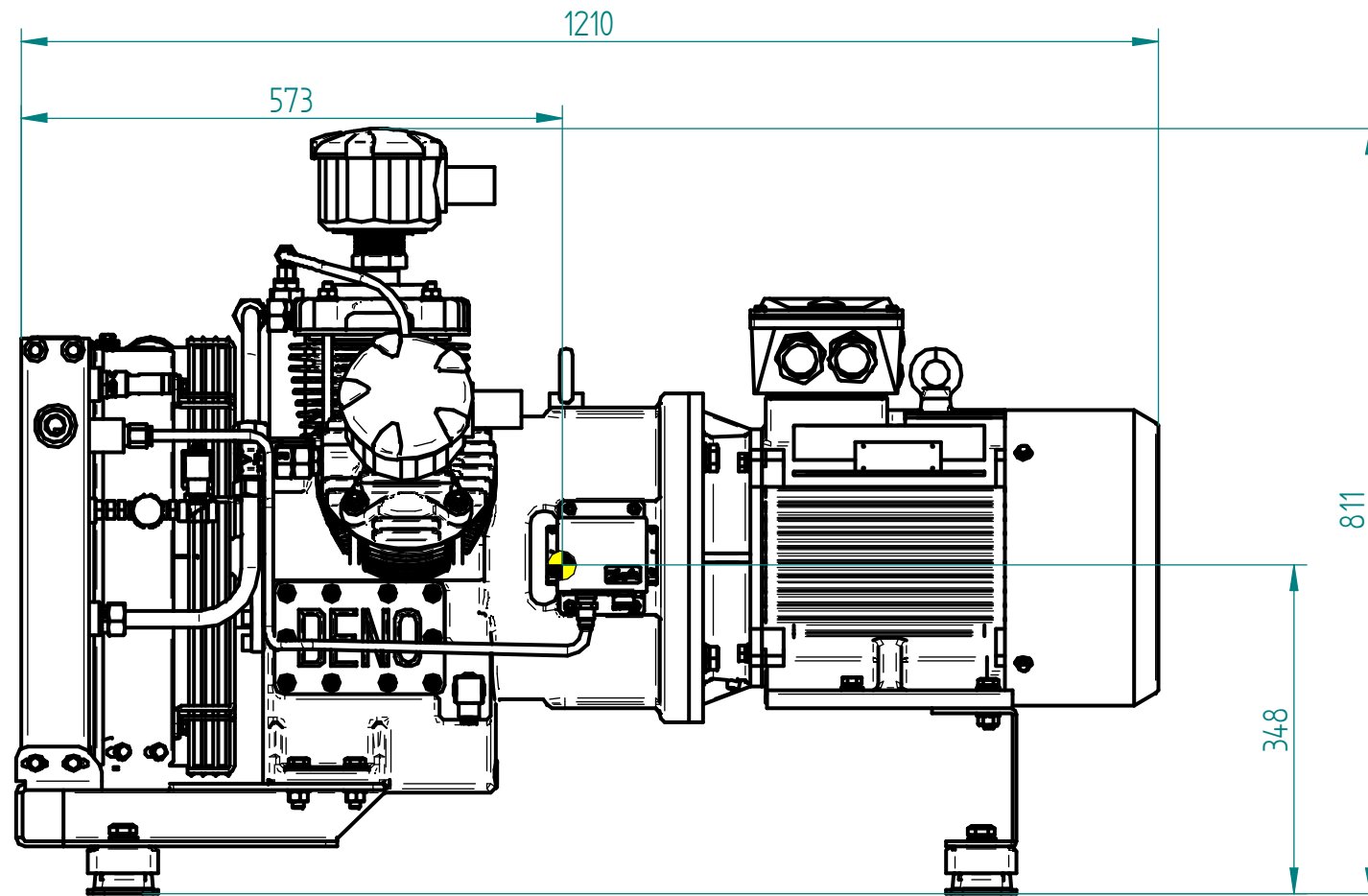


### Names of Outside Parts

	NAME:	DATE:
DRAWN:	EL	15/11/21
DRAWING TYPE:	General Arrangement	
DOCUMENT:	GA-3L-60-160M-Full Option.dft	

DENO compressors B.V.  
 www.denocomp.nl  
 info@denocomp.nl

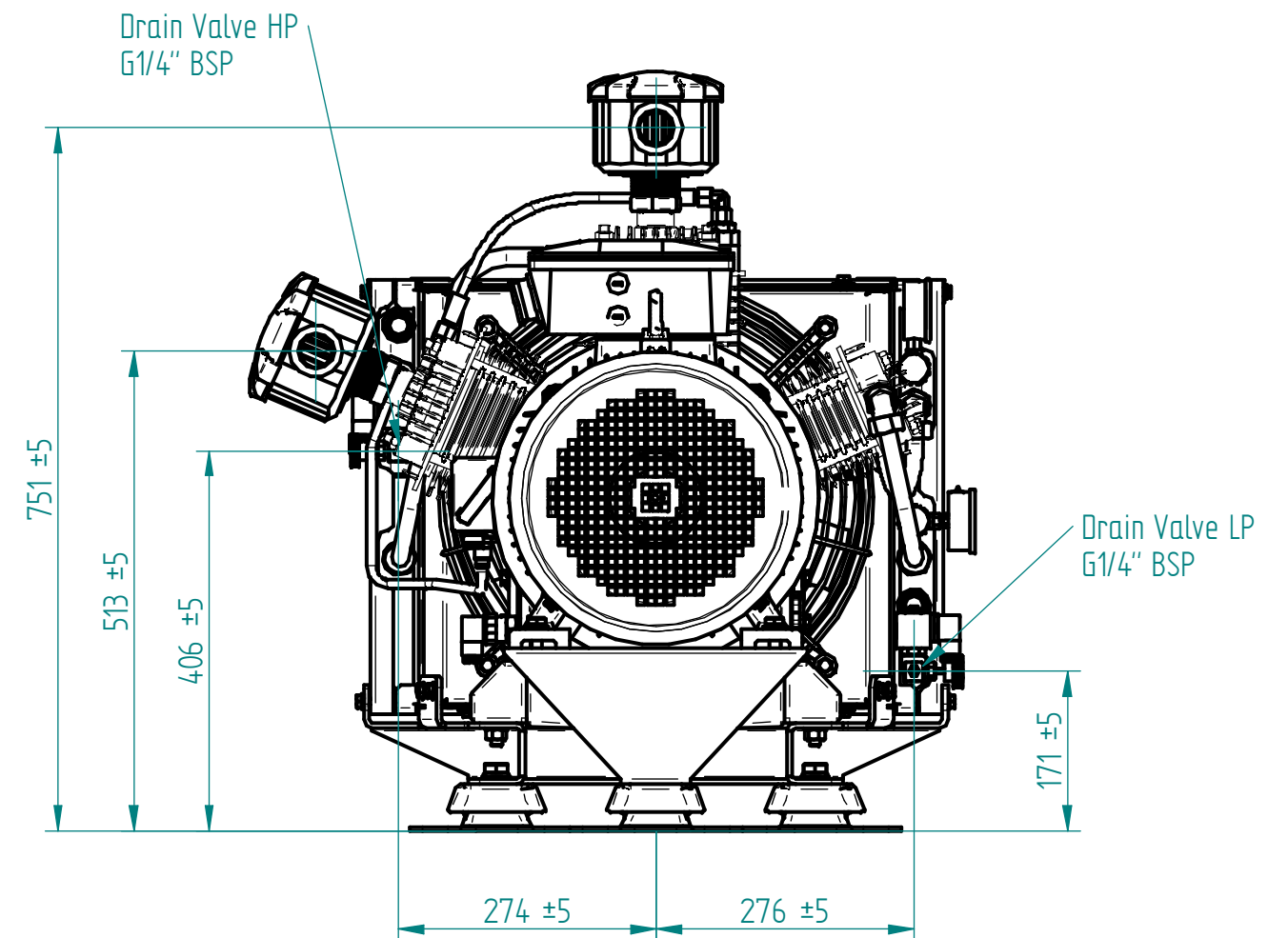
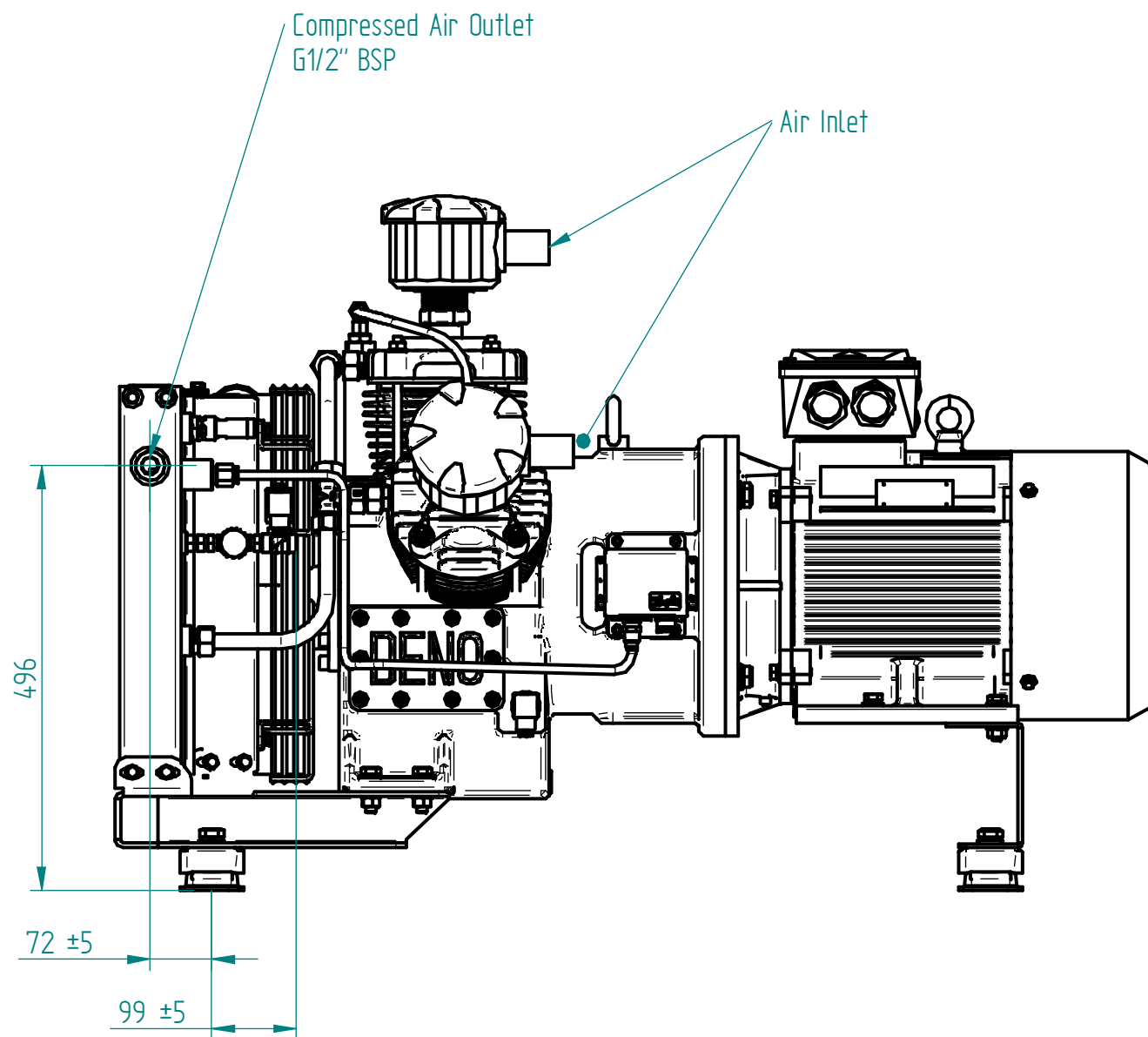
SCALE: 1:10  
 SIZE: A3



### Main Dimensions

DRAWN:	EL	DATE:	15/11/21
DRAWING TYPE:	General Arrangement		
DOCUMENT:	GA-3L-60-160M-Full Option.dft		

DENO compressors B.V. www.denocomp.nl info@denocomp.nl	SCALE:	1:10
	SIZE:	A3



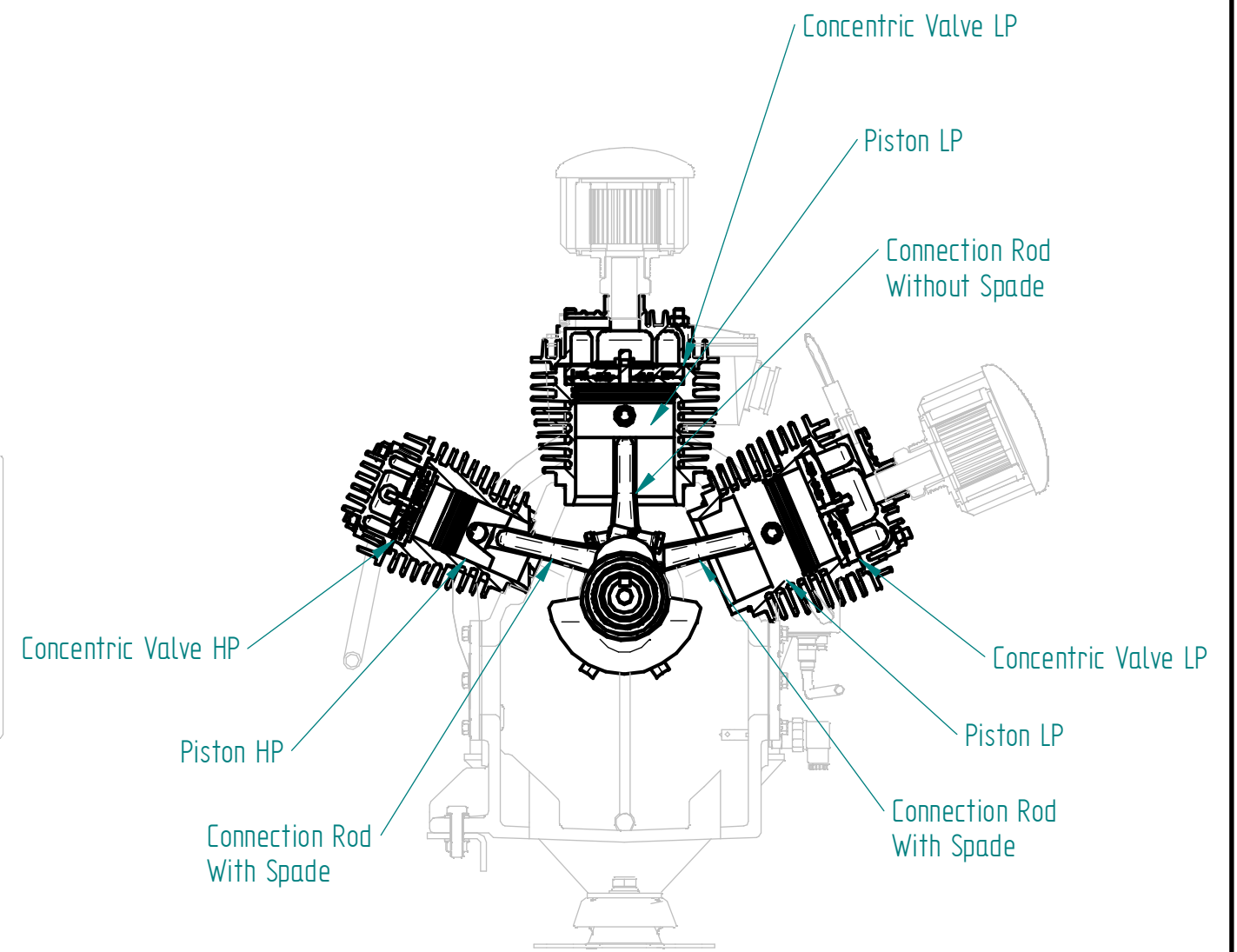
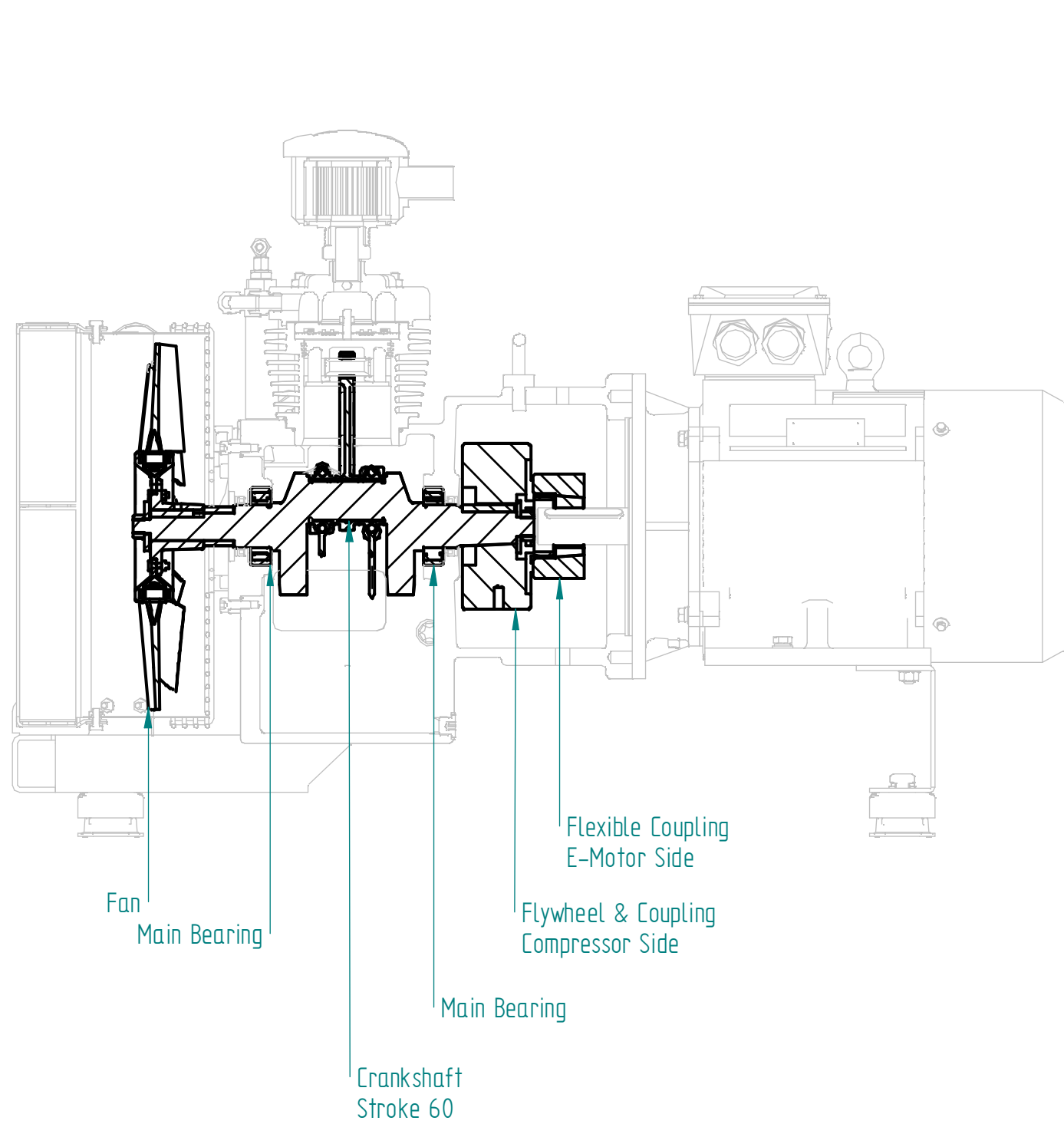
### Positions of Connections

	NAME:	DATE:
DRAWN:	EL	15/11/21
DRAWING TYPE:	General Arrangement	
DOCUMENT:	GA-3L-60-160M-Full Option.dft	

DENO compressors B.V.  
www.denocomp.nl  
info@denocomp.nl

SCALE: 1:10

SIZE: A3

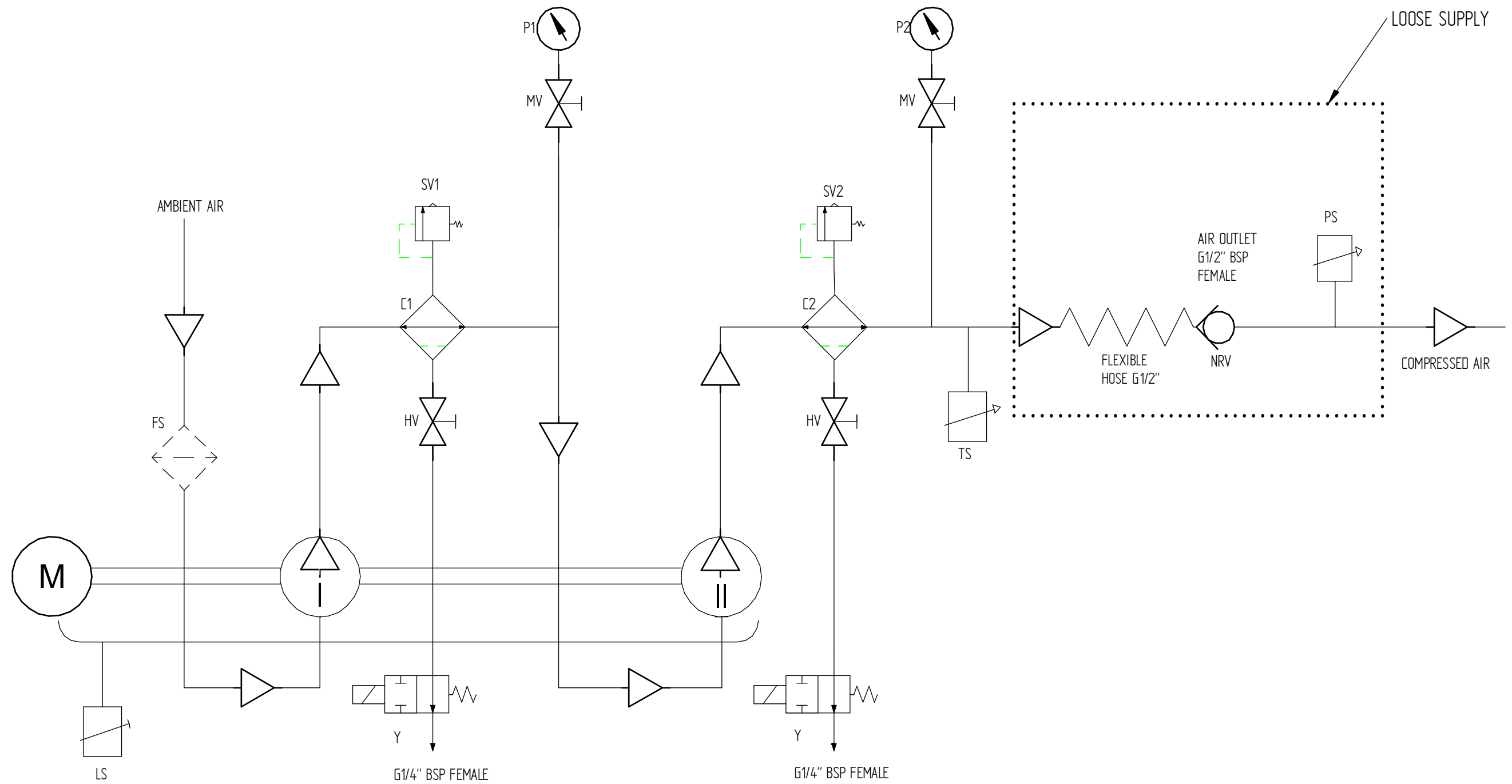


### Section Views

	NAME:	DATE:
DRAWN:	EL	15/11/21
DRAWING TYPE:	General Arrangement	
DOCUMENT:	GA-3L-60-160M-Full Option.dft	

DENO compressors B.V.  
 www.denocomp.nl  
 info@denocomp.nl


SCALE: 1:10  
 SIZE: A3



LEGEND P&I DIAGRAM:

FS	FILTER & SILENCER	NRV	NON -RETURN VALVE
M	E-MOTOR	MV	MANUAL VALVE
I	COMPRESSOR STAGE 1	HV	MANUAL DRAIN VALVE
II	COMPRESSOR STAGE 2	PS	PRESSURE SWITCH
C1	INTER COOLER WITH INTEGRATED OIL-WATER SEPARATOR	TS	TEMPERATURE SWITCH
C2	AFTER COOLER WITH INTEGRATED OIL-WATER SEPARATOR	LS	OIL LEVEL SENSOR
SV1	SAFETY VALVE STAGE 1	Y	SOLENOIDS
SV2	SAFETY VALVE STAGE 2		
P1	PRESSURE GAUGE STAGE 1		
P2	PRESSURE GAUGE STAGE 2		

NAME:		DATE:	
DRAWN:	EL		12/02/21
DRAWING TYPE:	Piping and Instrumentation Diagram		
COMMENTS:	-		



**P&ID**

DENO compressors B.V. www.denocomp.nl info@denocomp.nl	SIZE: A3
--	----------