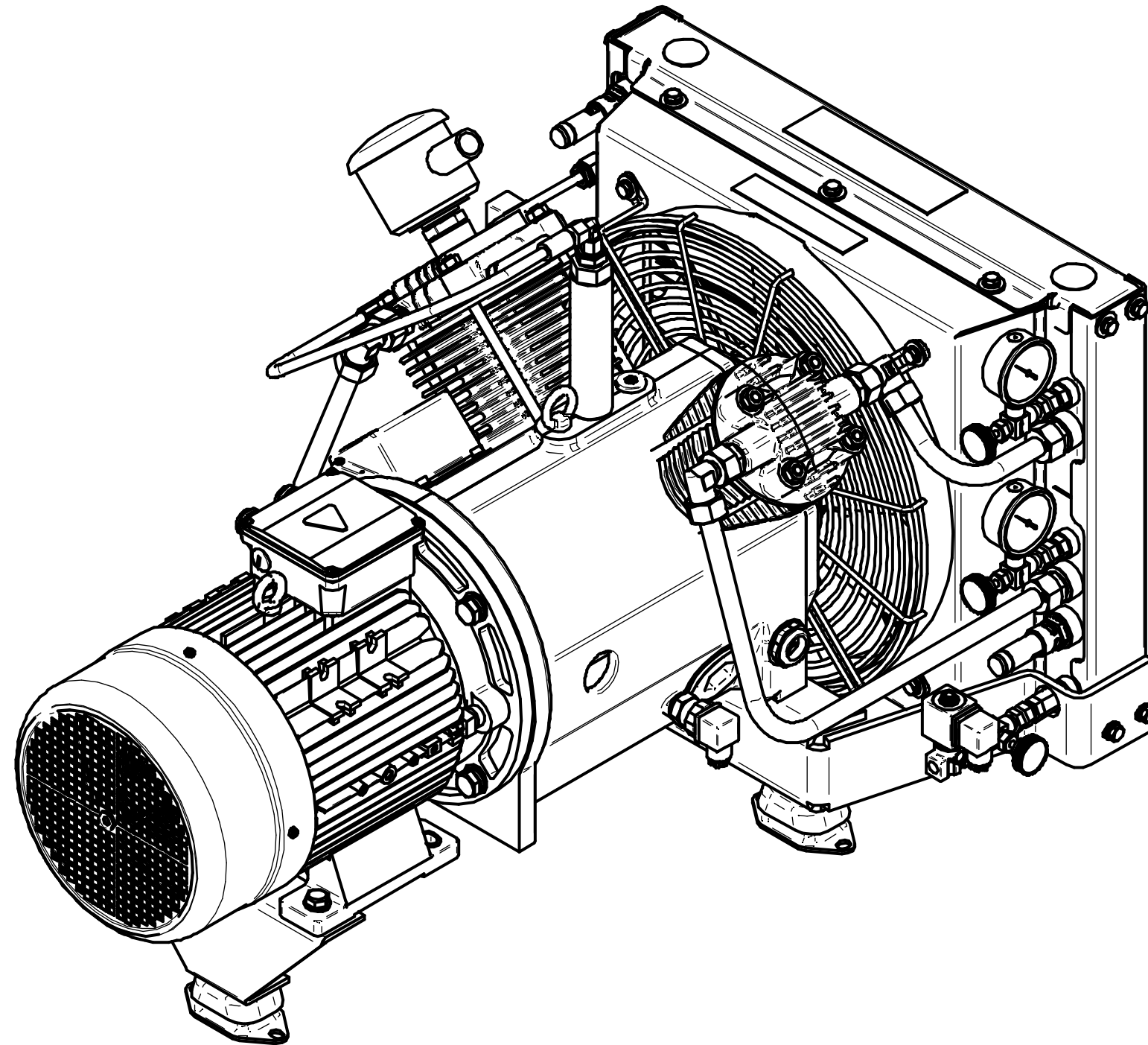


General Arrangement 2L Series

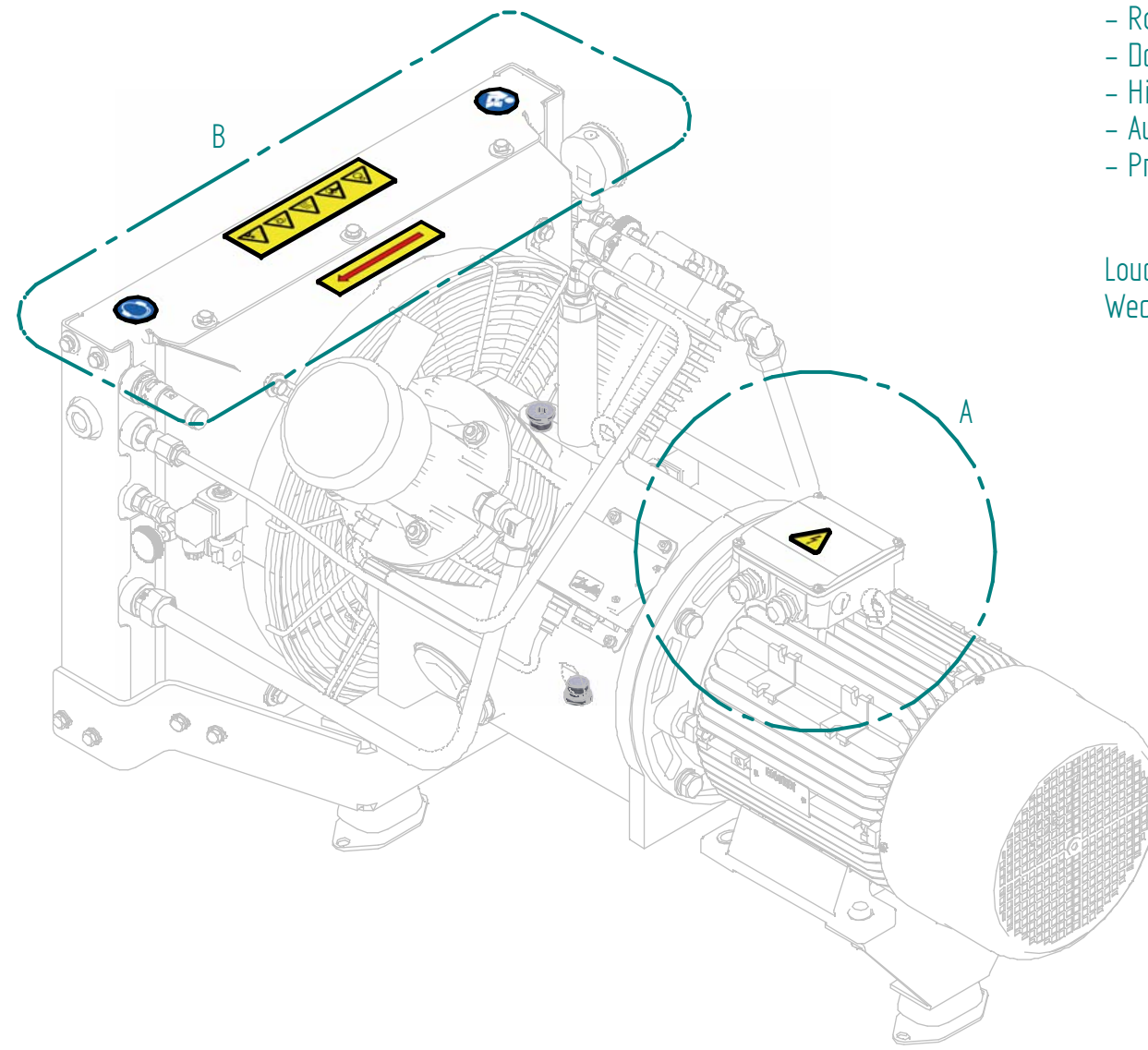


2L-25 132S

	NAME:	DATE:
DRAWN:	EL	21/07/21
DRAWING TYPE:	General Arrangement	
DOCUMENT:	GA-2L-132S-Full Option-rev2.dft	

DENO compressors B.V.
www.denocomp.nl
info@denocomp.nl

SCALE: 1:10
SIZE: A3



Read the manual
before first Start-Up

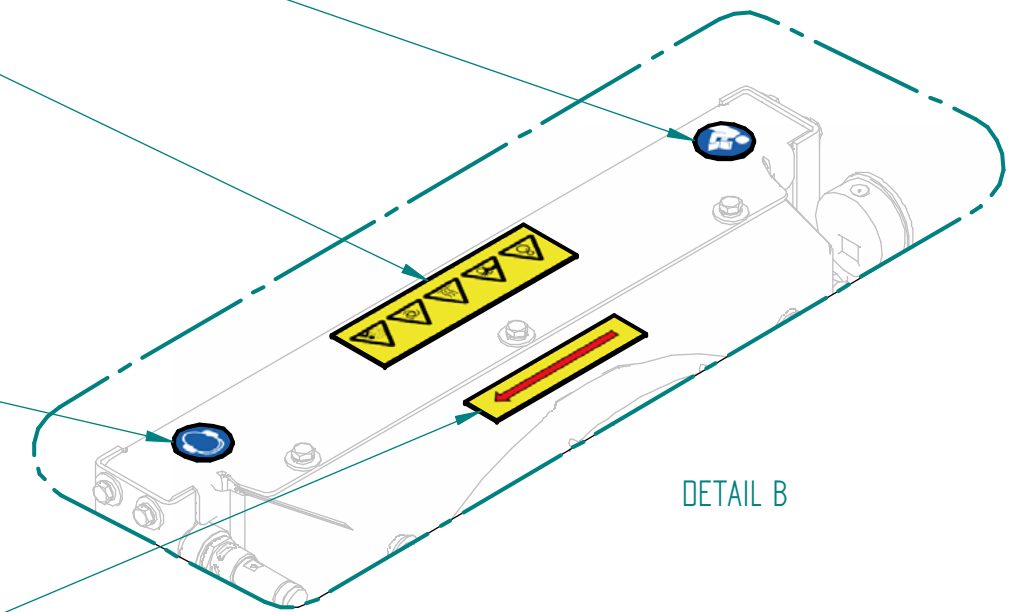
Warning signs:

- Rotating Parts
- Danger of crushing
- High Surface Temperature
- Automatic Start/Stop
- Pressurized Air

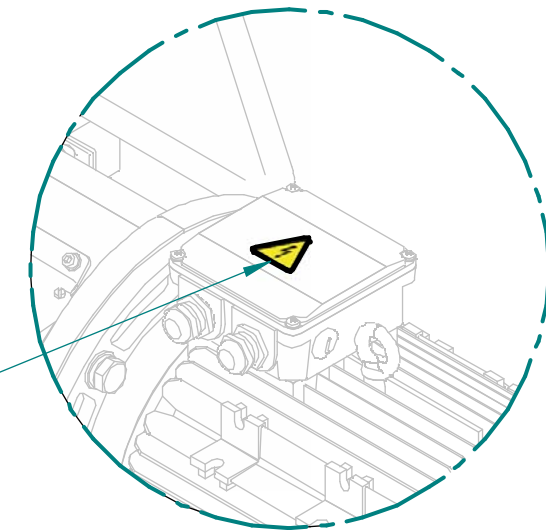
Loud noises
Wear ear protection

Direction of rotation

Caution of High voltage



DETAIL B



DETAIL A



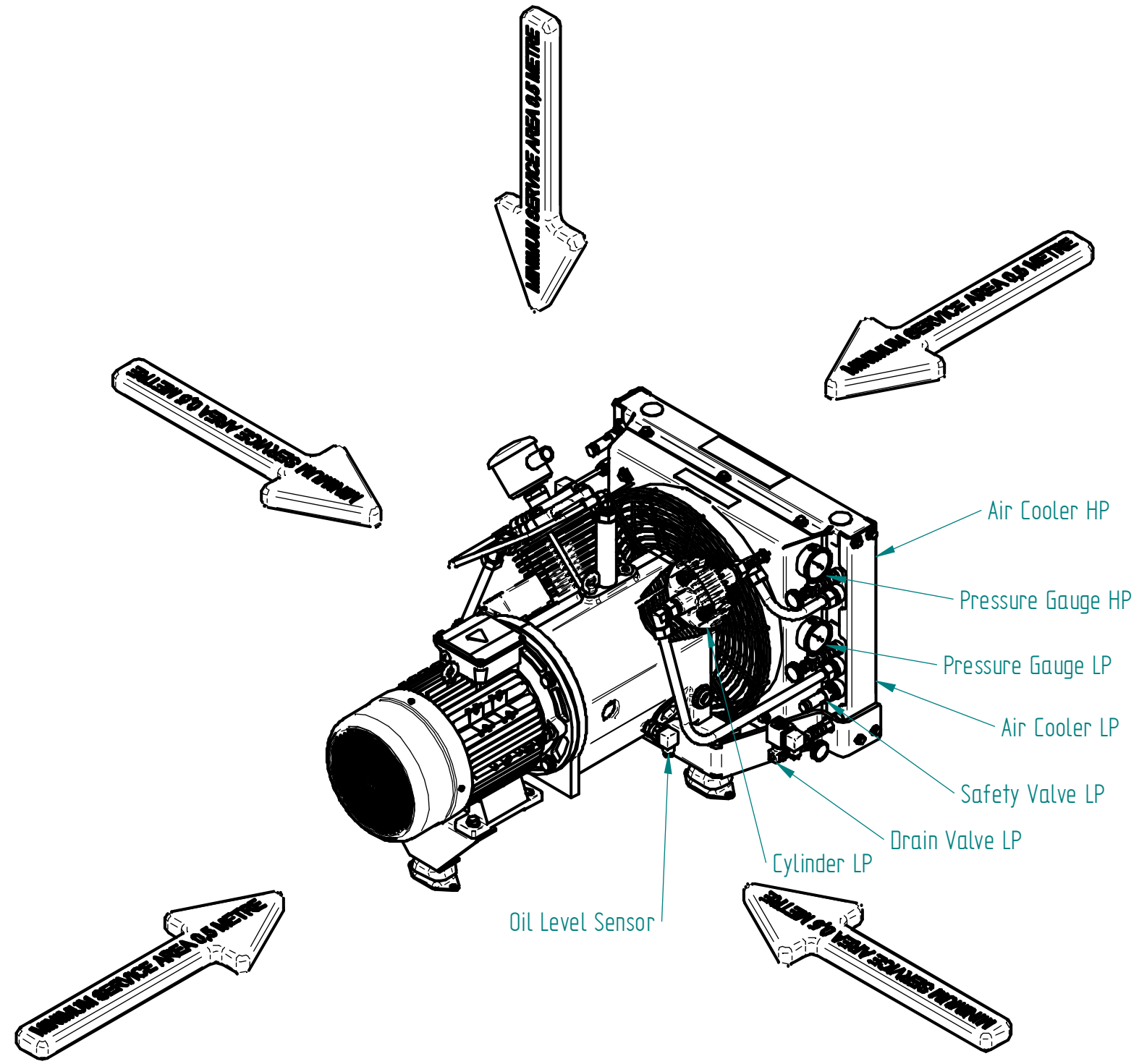
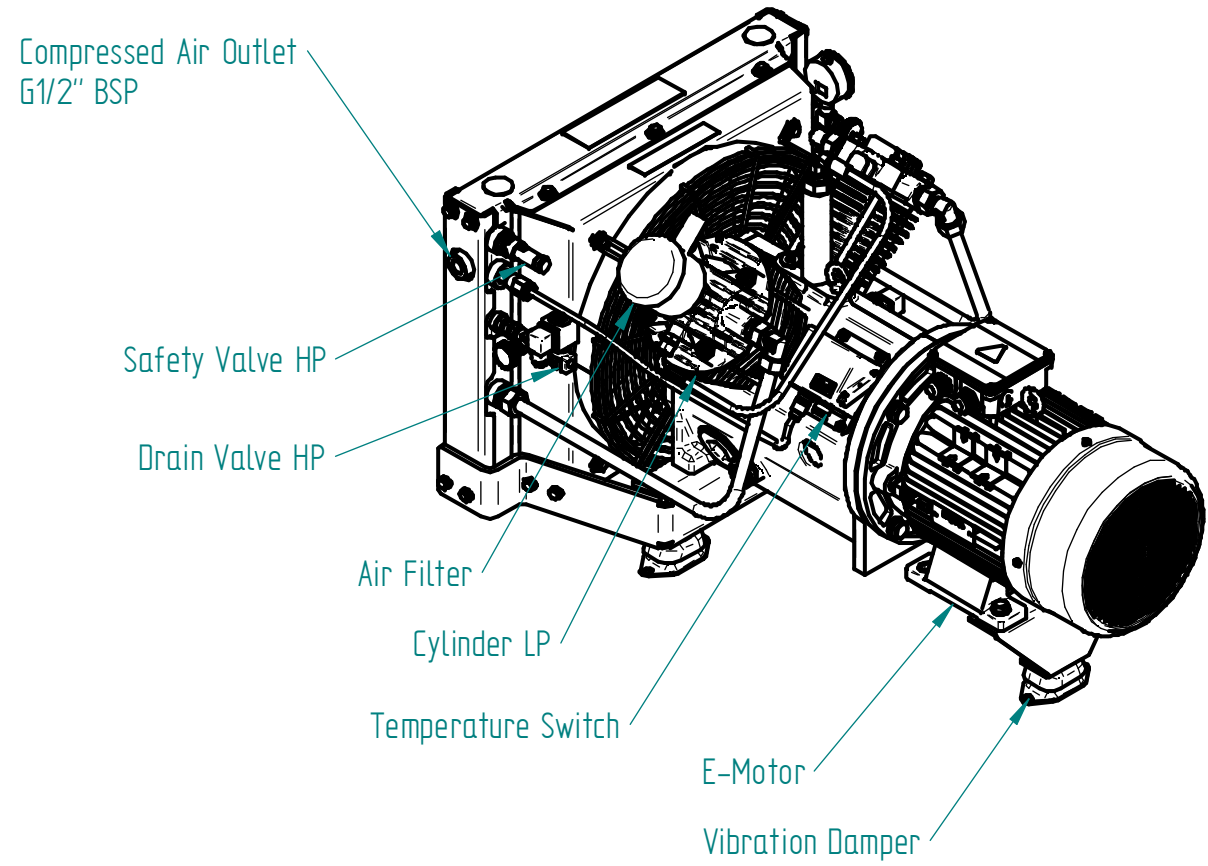
Safety Warnings

	NAME:	DATE:
DRAWN:	EL	21/07/21
DRAWING TYPE:	General Arrangement	
DOCUMENT:	GA-2L-132S-Full Option-rev2.dft	

DENO compressors B.V.
www.denocomp.nl
info@denocomp.nl

SCALE: 1:10

SIZE: A3

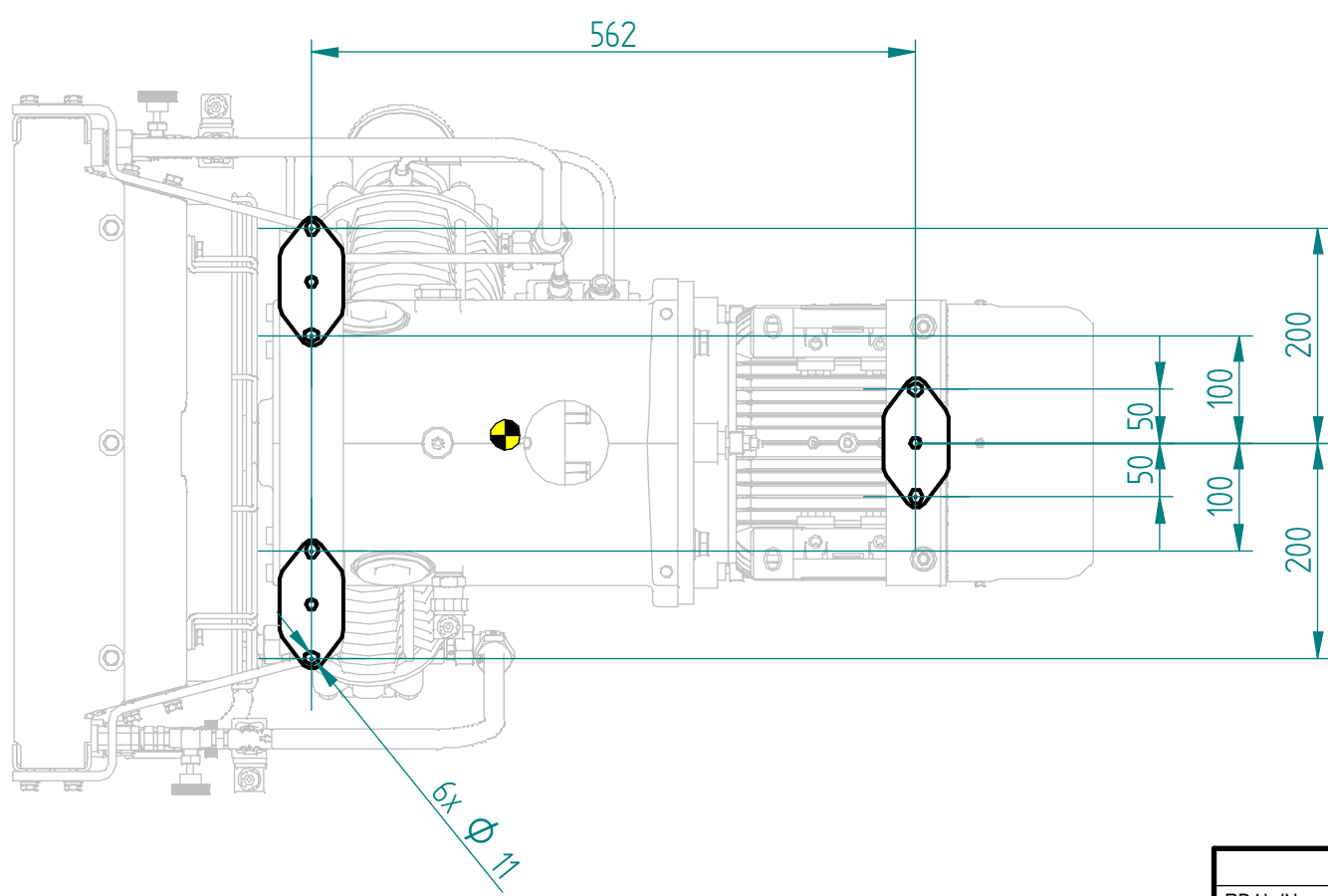
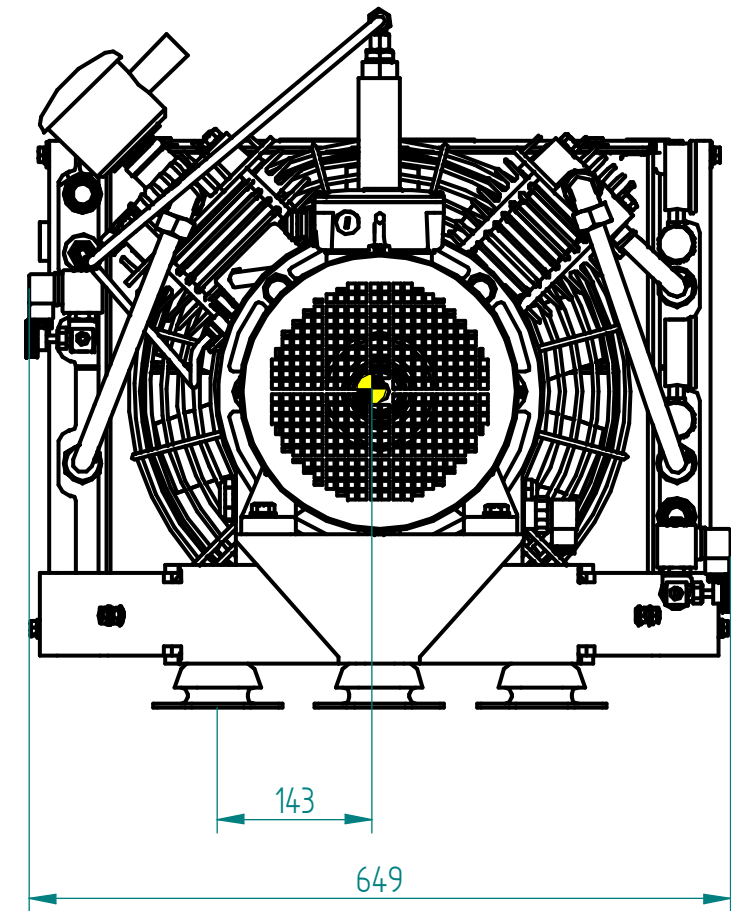
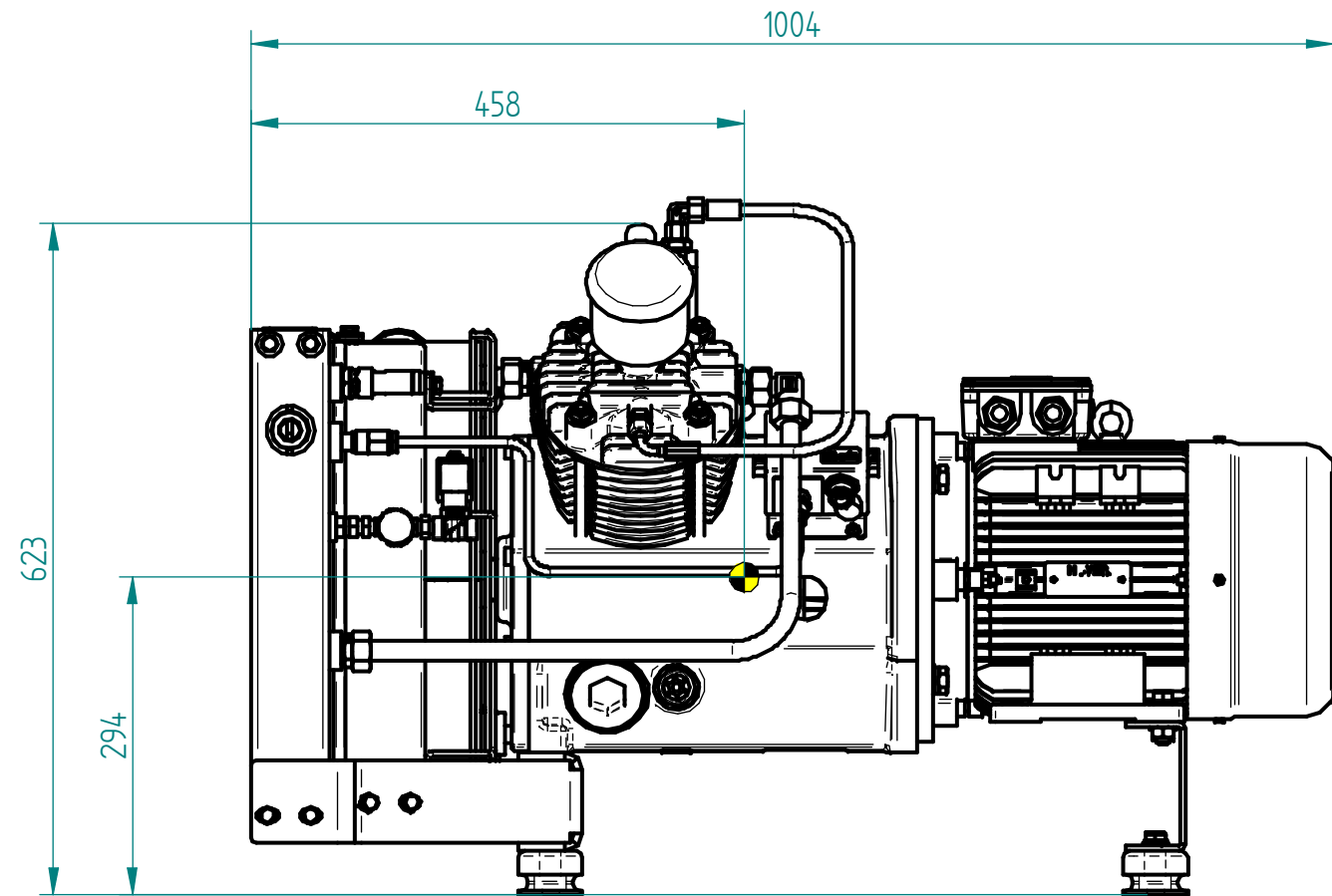


Names of Outside Parts

	NAME:	DATE:
DRAWN:	EL	21/07/21
DRAWING TYPE:	General Arrangement	
DOCUMENT:	GA-2L-132S-Full Option-rev2.dft	

DENO compressors B.V.
 www.denocomp.nl
 info@denocomp.nl

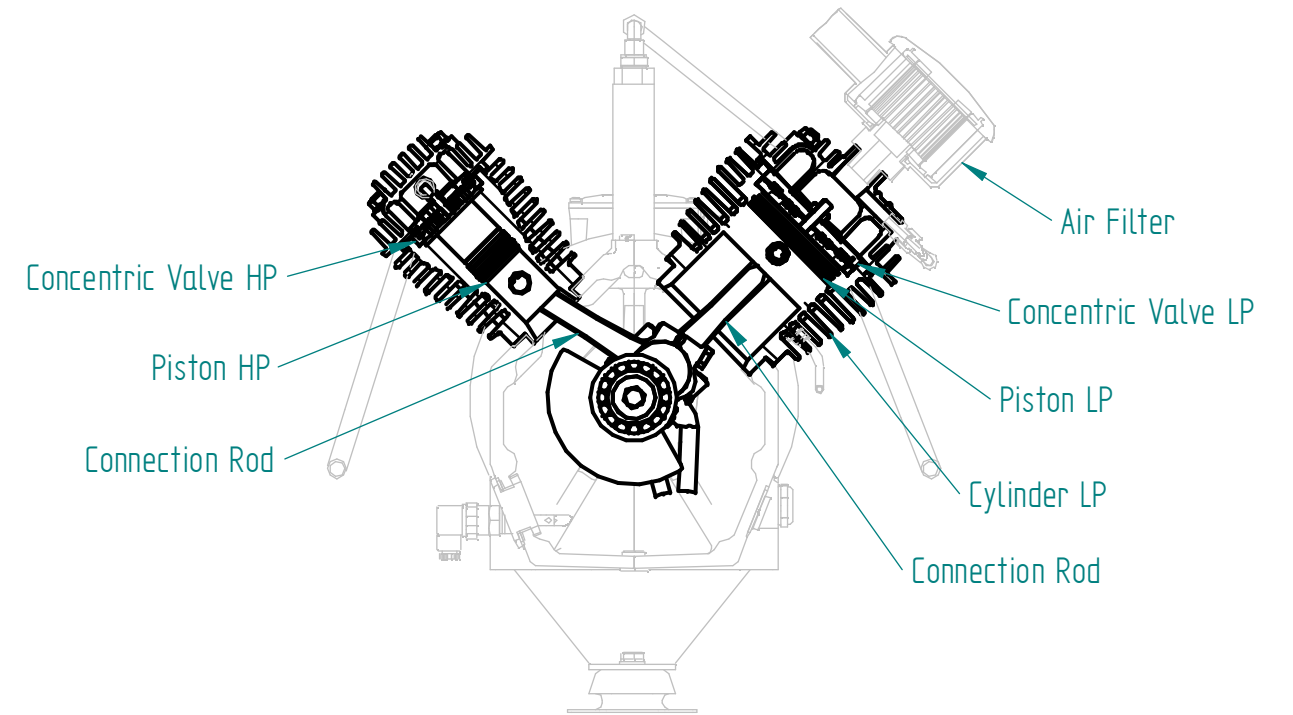
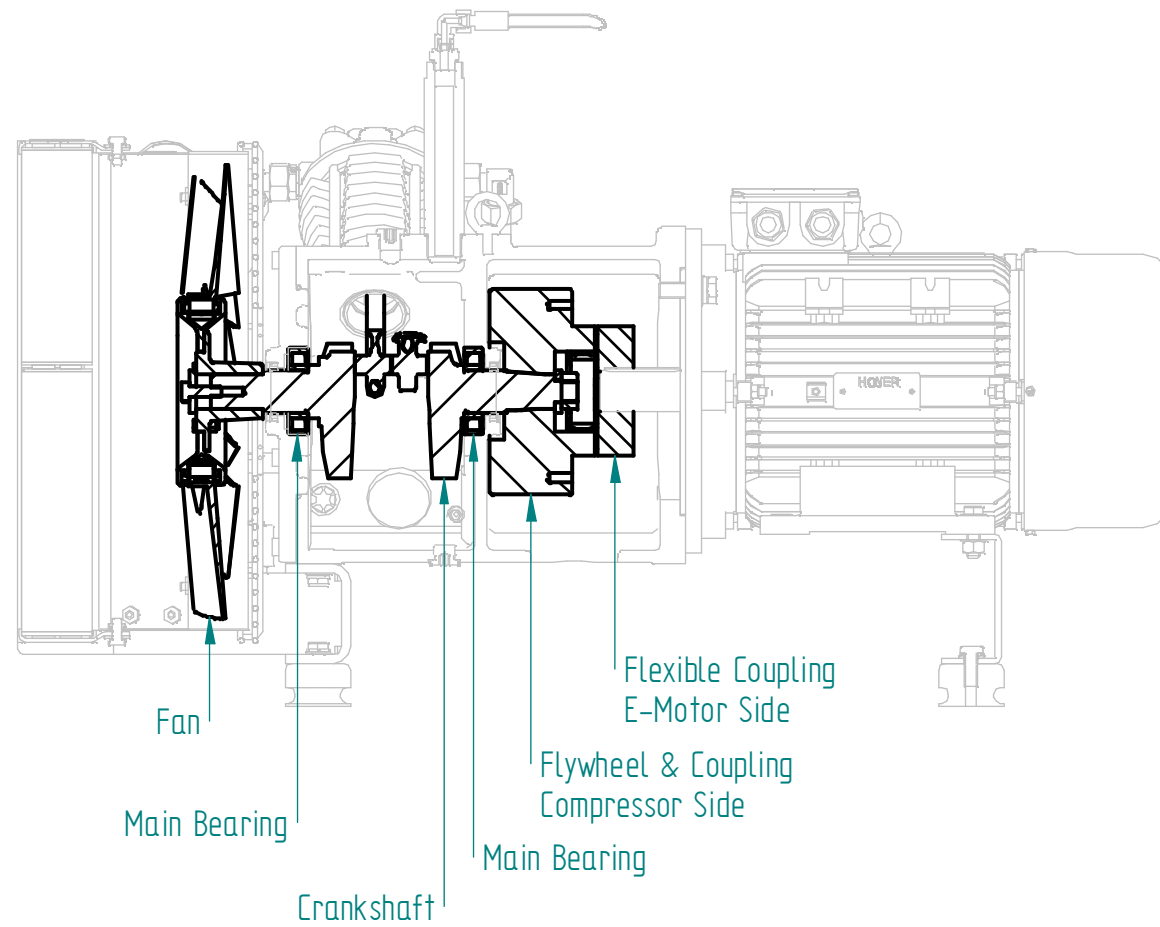
SCALE: 1:10
 SIZE: A3



Main Dimensions

DRAWN:	EL	DATE:	21/07/21
DRAWING TYPE:	General Arrangement		
DOCUMENT:	GA-2L-132S-Full Option-rev2.dft		

DENO compressors B.V. www.denocomp.nl info@denocomp.nl	SCALE:	1:7
	SIZE:	A3

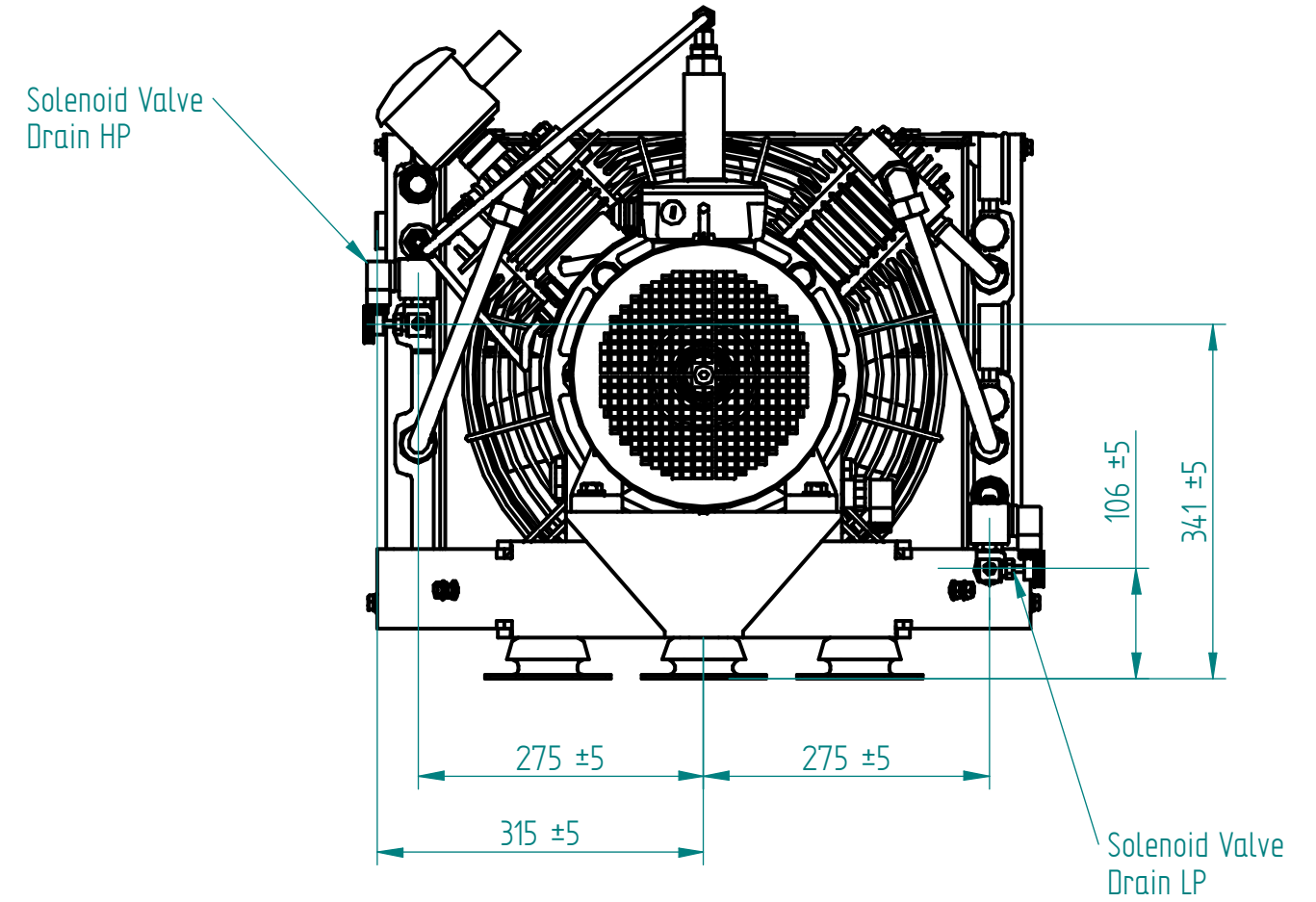
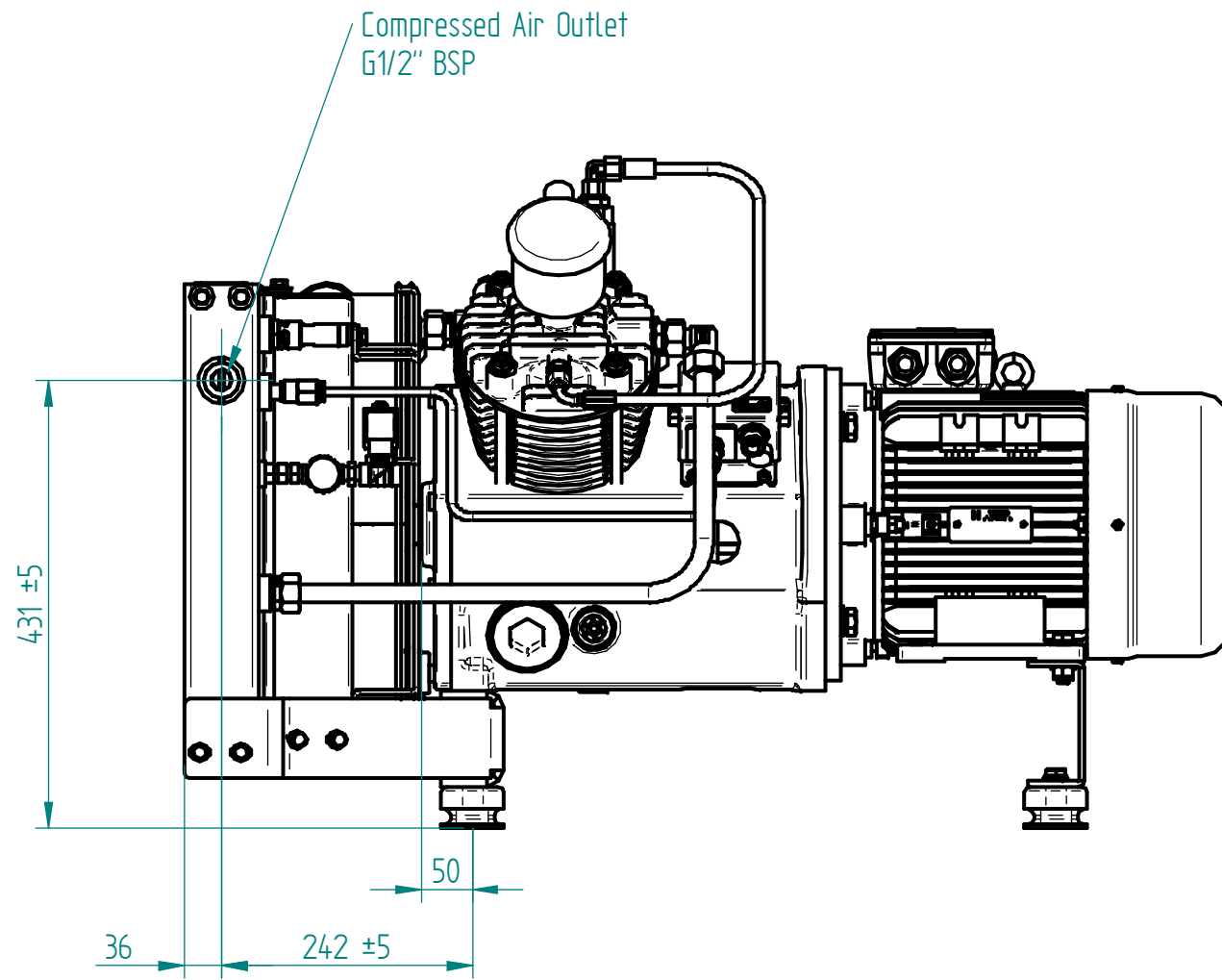


Section Views

	NAME:	DATE:
DRAWN:	EL	21/07/21
DRAWING TYPE:	General Arrangement	
DOCUMENT:	GA-2L-132S-Full Option-rev2.dft	

DENO compressors B.V.
 www.denocomp.nl
 info@denocomp.nl

SCALE: 1:7
 SIZE: A3

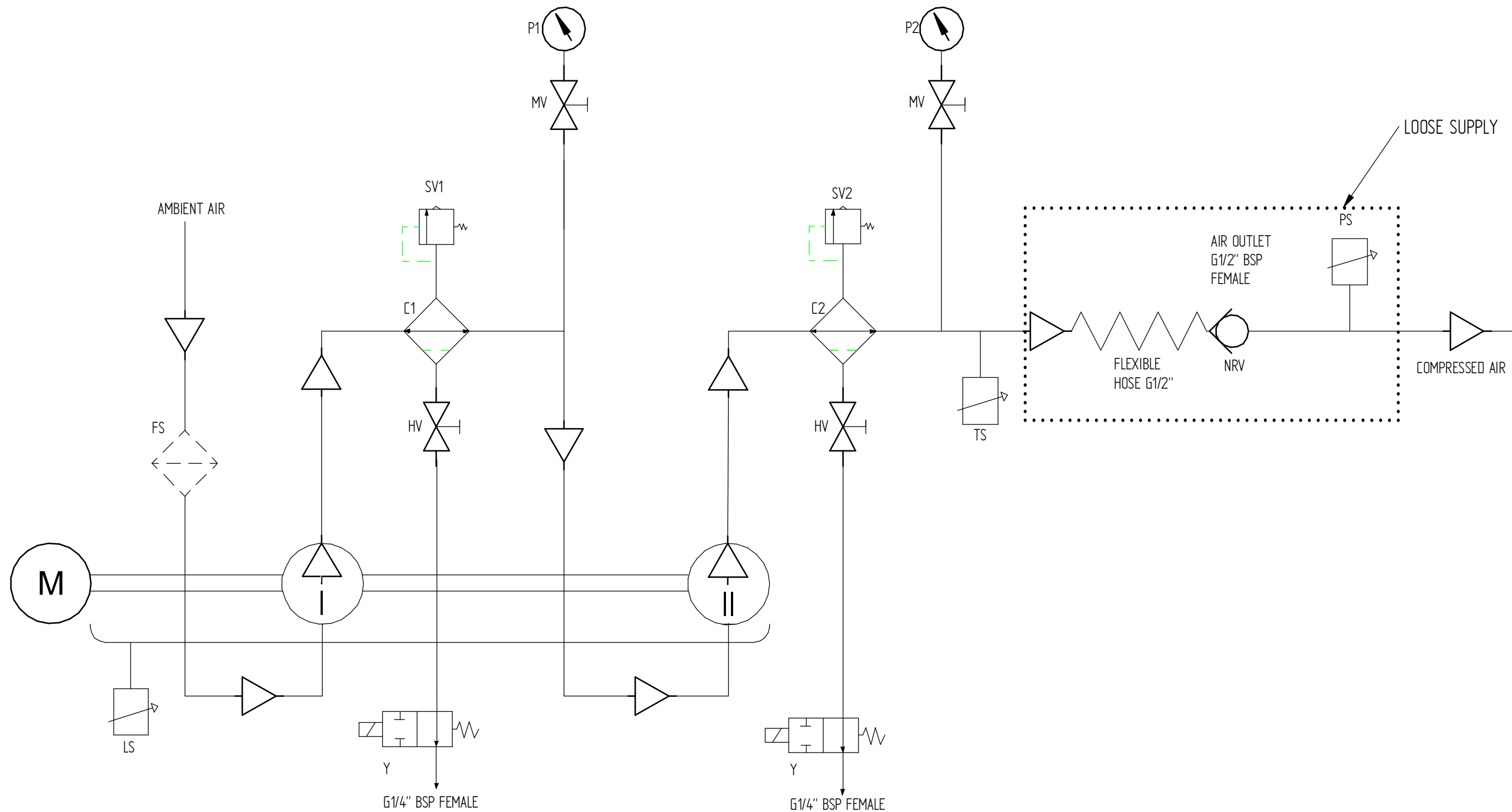


Positions of Connections

	NAME:	DATE:
DRAWN:	EL	21/07/21
DRAWING TYPE:	General Arrangement	
DOCUMENT:	GA-2L-132S-Full Option-rev2.dft	

DENO compressors B.V.
www.denocomp.nl
info@denocomp.nl

SCALE: 1:7
SIZE: A3



LEGEND P&I DIAGRAM:

FS	FILTER & SILENCER	Y	UNLOADING-DRAIN SOLENOID VALVE
M	E-MOTOR	NRV	NON -RETURN VALVE
I	COMPRESSOR STAGE 1	MV	MANUAL VALVE
II	COMPRESSOR STAGE 2	HV	MANUAL DRAIN VALVE
C1	INTER COOLER WITH INTEGRATED OIL-WATER SEPARATOR	PS	PRESSURE SWITCH
C2	AFTER COOLER WITH INTEGRATED OIL-WATER SEPARATOR	TS	TEMPERATURE SWITCH
SV1	SAFETY VALVE STAGE 1	LS	OIL LEVEL SENSOR
SV2	SAFETY VALVE STAGE 2		
P1	PRESSURE GAUGE STAGE 1		
P2	PRESSURE GAUGE STAGE 2		

NAME:	DATE:
DRAWN: EL	14/07/21
DRAWING TYPE: Piping and Instrumentation Diagram	
COMMENTS: -	



P&ID 2L series

DENO compressors B.V.
www.denocomp.nl
info@denocomp.nl

SIZE: A3